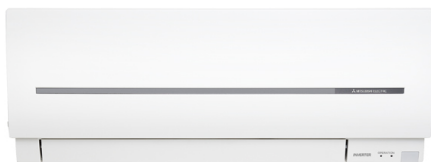


# Air Conditioning

## Product Information

### MSZ-SF25VE : Inverter Heat Pump

R410A Wall Mounted System



The MSZ series has been completely redesigned offering a stylish and efficient system.

These models offer industry leading noise levels and have a distinctively styled front panel that not only looks appealing, but also helps to make cleaning of the unit easier.

## FEATURES



### INDOOR

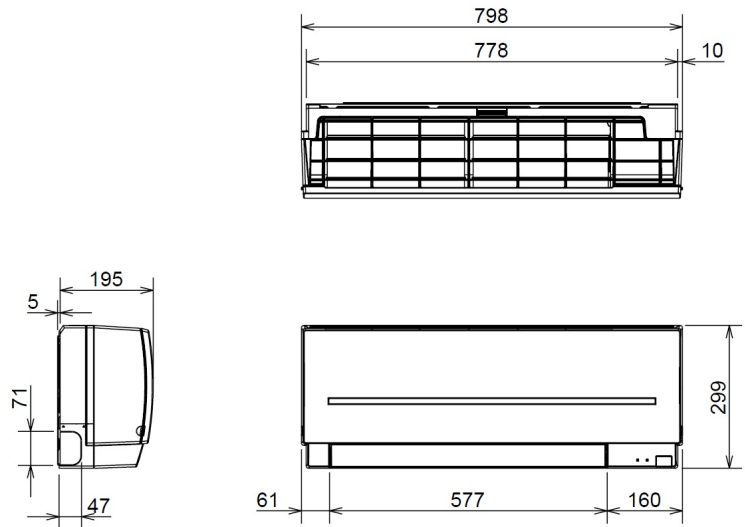
|                                                        |                              |
|--------------------------------------------------------|------------------------------|
| Heating Capacity (kW) (nominal)                        | 3.2 (1 - 4.1)                |
| Cooling Capacity (kW) (nominal)                        | 2.5 (0.9 - 3.4)              |
| Heating Capacity (kW) (UK)                             | 2.66 (0.83 - 3.41)           |
| Cooling Capacity (kW) (UK)                             | 2.5 (0.89 - 3.37)            |
| SHF (nominal and UK)                                   | 0.92                         |
| COP / EER (nominal)                                    | 4.1 / 4.17                   |
| SCOP / SEER                                            | 4.4 / 7.6                    |
| Energy Efficiency Class - Heating / Cooling            | A+ / A++                     |
| Airflow (m³/min) (Heating) - Si-Lo-Mi-Hi-SupHi         | 3.5 - 4.1 - 6.7 - 8.2 - 10.3 |
| Airflow (m³/min) (Cooling) - Si-Lo-Mi-Hi-SupHi         | 3.5 - 4.1 - 5.5 - 7.2 - 9.1  |
| Pipe Size Gas (mm [in])                                | 9.52 (3/8)                   |
| Pipe Size Liquid (mm [in])                             | 6.35 (1/4)                   |
| Sound Pressure Level (dBA) Heating - Si-Lo-Mi-Hi-SupHi | 21 - 24 - 34 - 39 - 45       |
| Sound Pressure Level (dBA) Cooling - Si-Lo-Mi-Hi-SupHi | 21 - 24 - 30 - 36 - 42       |
| Sound Power Level (dBA) Cooling                        | 57                           |
| Dimensions (mm) Width x Depth x Height                 | 798 x 195 x 299              |
| Weight (kg)                                            | 10                           |
| Electrical Supply                                      | FED BY OUTDOOR UNIT          |
| Phase                                                  | SINGLE                       |
| Fuse Rating (BS88) - HRC (A)                           | 6                            |
| Interconnecting Cable No. Cores                        | 4                            |

### OUTDOOR

|                                                       |                 |
|-------------------------------------------------------|-----------------|
| Sound Pressure Level (dBA) Heating / Cooling          | 48 / 47         |
| Sound Power Level (dBA) Cooling                       | 58              |
| Weight (kg)                                           | 31              |
| Dimensions (mm) Width x Depth x Height                | 800 x 285 x 550 |
| Electrical Supply                                     | 220-240V, 50HZ  |
| Phase                                                 | SINGLE          |
| System Power Input (kW) - Heating / Cooling (nominal) | 0.78 / 0.6      |
| System Power Input (kW) - Heating / Cooling (UK)      | 0.71 / 0.49     |
| Starting Current (A)                                  | 3.9             |
| System Running Current (A) [MAX] - Heating / Cooling  | 3.9 / 3.2 [8.4] |
| Fuse Rating (BS88) - HRC (A)                          | 10              |
| Mains Cable No. Cores                                 | 3               |
| Max Pipe Length (m)                                   | 20              |
| Max Height Difference (m)                             | 12              |
| Charge R410A (kg) - (pre charged length)              | 0.7 (7)         |

### DIMENSIONS

MSZ-SF25\_50



### DIMENSIONS

MUZ-SF25\_50

