



# Air Conditioning Technical Data

Wall mounted unit



EEDEN14-034

FTXV-AB



# TABLE OF CONTENTS

## FTXV-AB

1	Features .....	2
2	Specifications .....	3
	Technical Specifications .....	3
	Electrical Specifications .....	3
3	Dimensional drawings .....	4
4	Piping diagrams .....	6
5	Wiring diagrams .....	7
	Wiring Diagrams - Single Phase .....	7
6	Sound data .....	9
	Sound Pressure Spectrum .....	9

# 1 Features

- The infrared remote control is user friendly and equipped with a timer function that enables you to programme the unit to start or stop at your desired time.
- Turbo mode allows to rapidly heat up or cool down the room in a couple of minutes
- 24 hour timer can be set to start heating or cooling anytime during a 24 hour period
- Vertical auto swing moves the discharge flaps up and down for efficient air and temperature distribution throughout the room
- Flat, stylish front panel blends easily within any interior décor and is more easy to clean



Fan only



Comfortable sleeping mode



Vertical auto swing



Auto fan speed



Fan speed steps



Dry programme



24 hour timer



Infrared remote control



Auto-restart

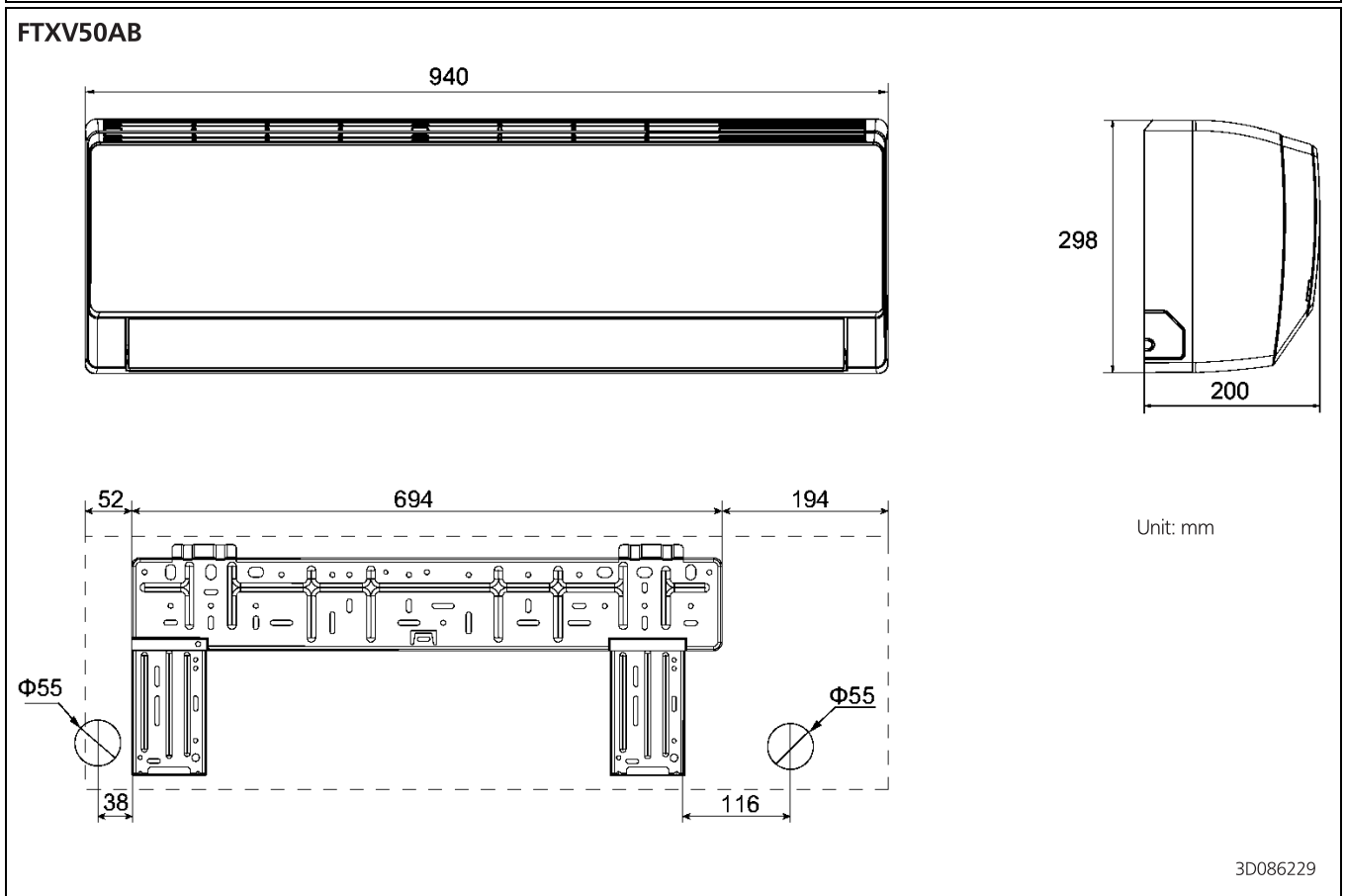
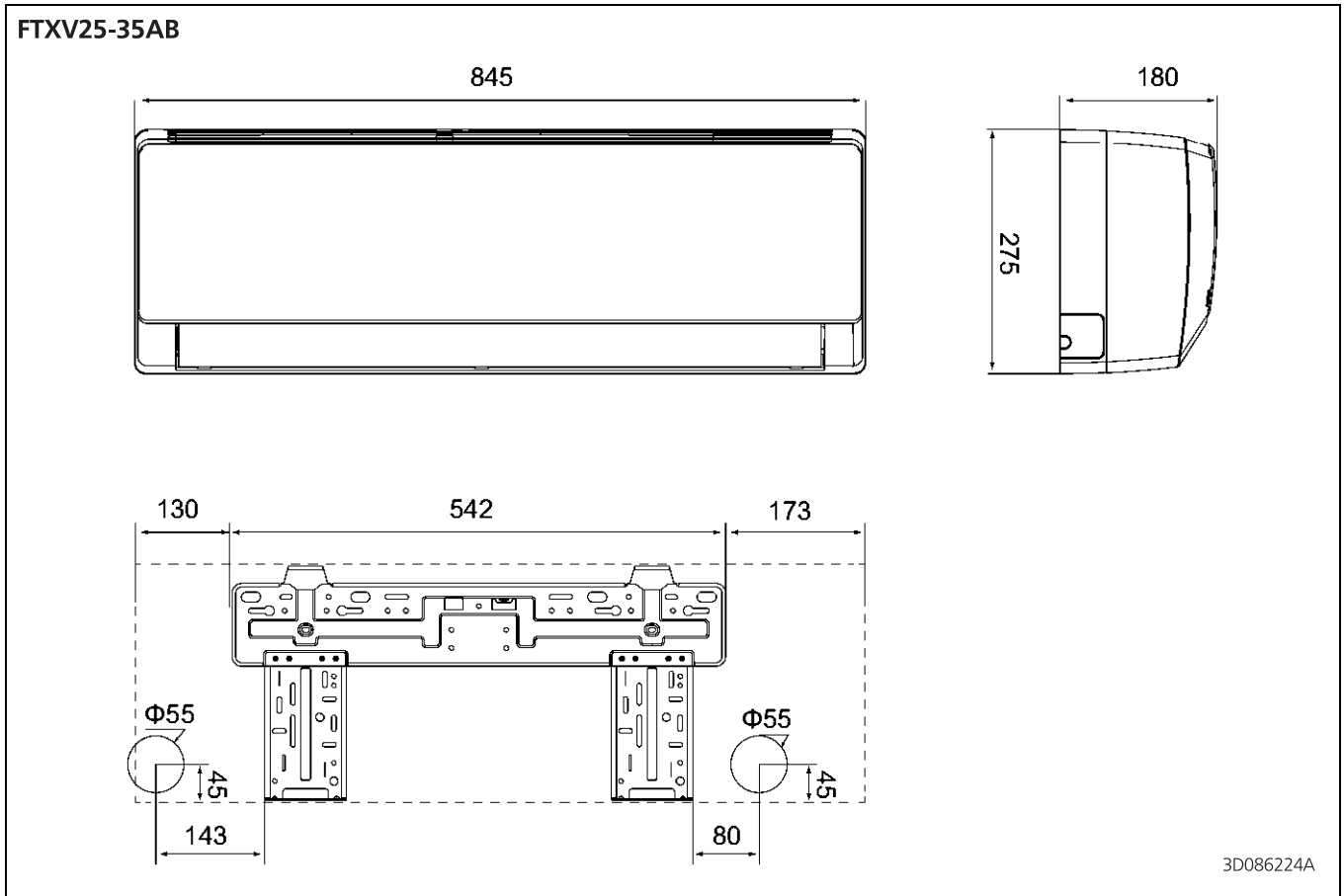
## 2 Specifications

2-1 Technical Specifications				FTXV25AB	FTXV35AB	FTXV50AB	FTXV60AB	
Dimensions	Unit	Height/Width/Depth	mm	275/845/180		298/940/200	315/1,007/219	
	Packed unit	Height/Width/Depth	mm	-/-	370/918/258	383/1,013/300	398/1,076/328	
Weight	Unit		kg	9		12	14	
	Packed unit		kg	12		15	17.5	
Fan	Air flow rate	Cooling	High	m <sup>3</sup> /min	10	9.7	14.2	16.7
			Nom.	m <sup>3</sup> /min	8.3		13	13.3
			Low	m <sup>3</sup> /min	6.7		10.8	11.7
			Silent operation	m <sup>3</sup> /min	5		9.2	
Sound power level	Cooling	/	dBA	50	51	63	58	
Sound pressure level	Cooling	High/Nom./Low/Silent operation	dBA	41/39/34/28	42/40/35/30	48/43/40/35	51/47/42/39	
	Heating	Super high	dBA	-				
Refrigerant	Type	R-410A						
Piping connections	Liquid	OD	6.35					
	Gas	OD	9.52		12.70		15.9	
2-2 Electrical Specifications				FTXV25AB	FTXV35AB	FTXV50AB	FTXV60AB	
Power supply	Phase	1~						
	Frequency	Hz	50					
	Voltage	V	220-240					

### 3 Dimensional drawings

#### 3 - 1 Dimensional Drawings

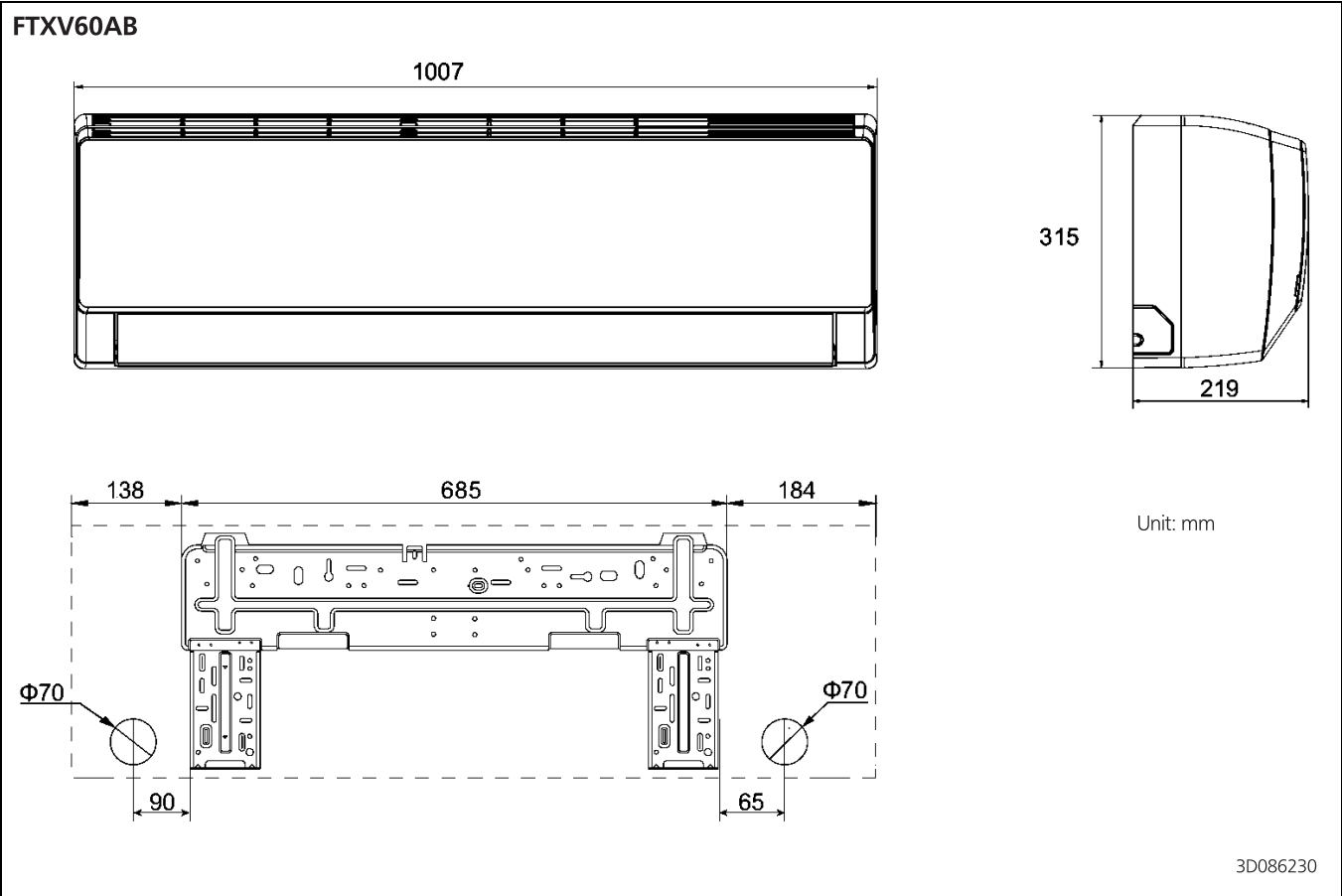
3



4

### 3 Dimensional drawings

#### 3 - 1 Dimensional Drawings



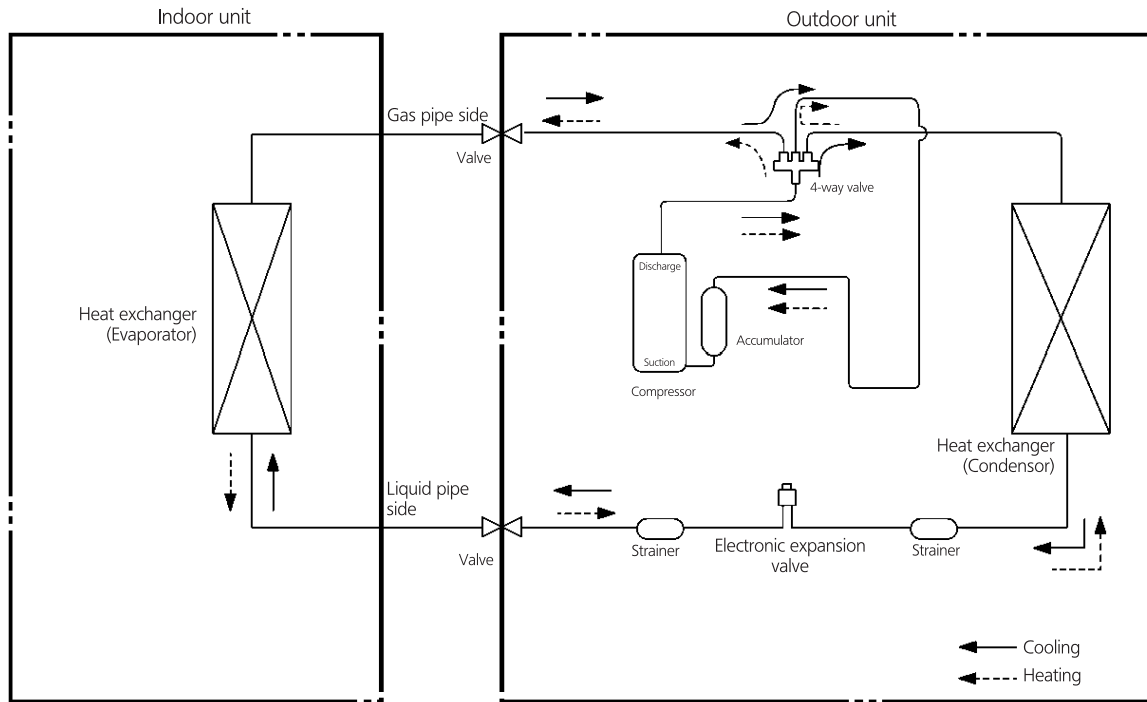
# 4 Piping diagrams

## 4 - 1 Piping Diagrams

4

### FTXV25-35AB

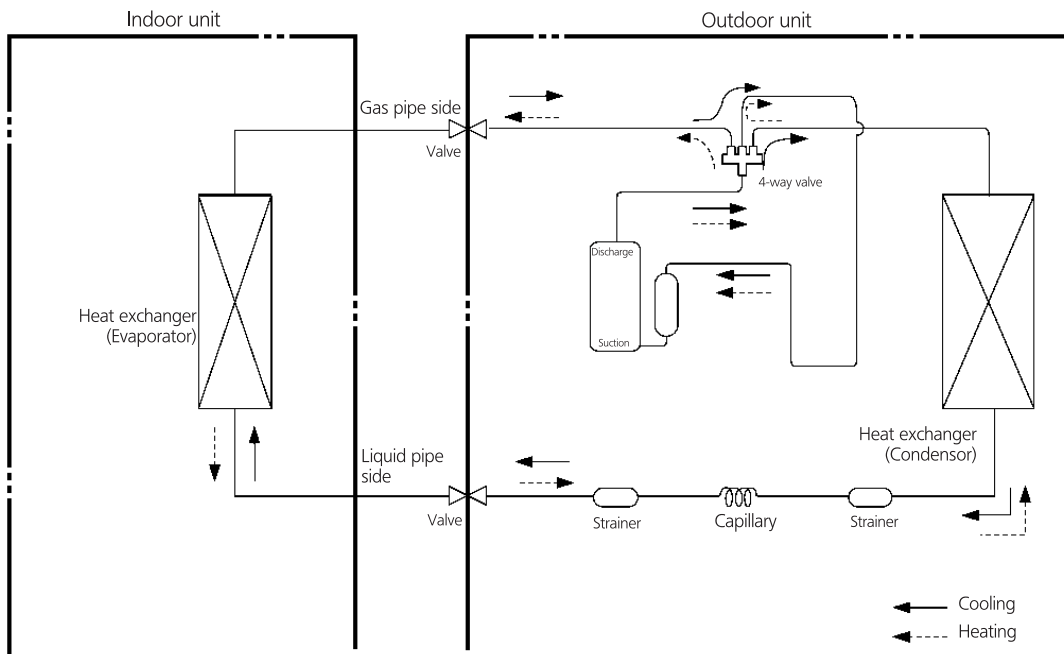
Cooling and heating model



Connection pipe specification:  
Liquid pipe: 1/4" (6mm)  
Gas pipe: 3/8" (9.52mm)

3D086226A

### FTXV50-60AB



Connection pipe specification:  
Liquid pipe: 1/4" (6mm)  
Gas pipe: 1/2" (12mm)(18K)  
Gas pipe: 5/8" (16mm)(24K)

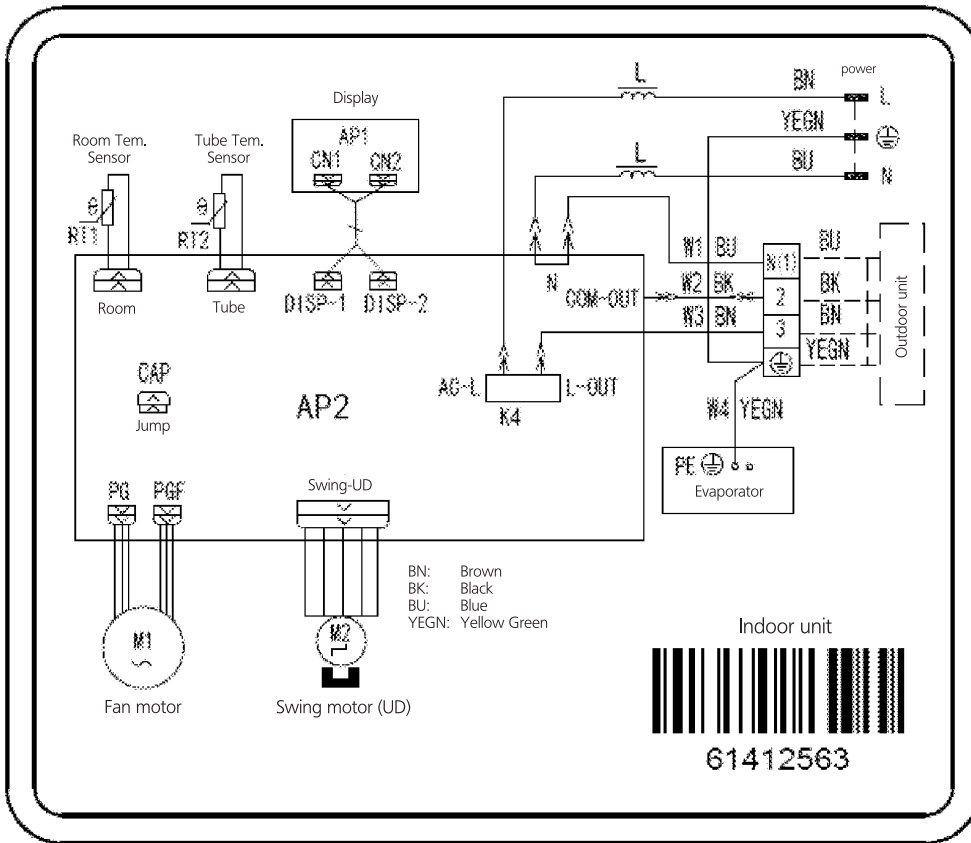
3D086233



# 5 Wiring diagrams

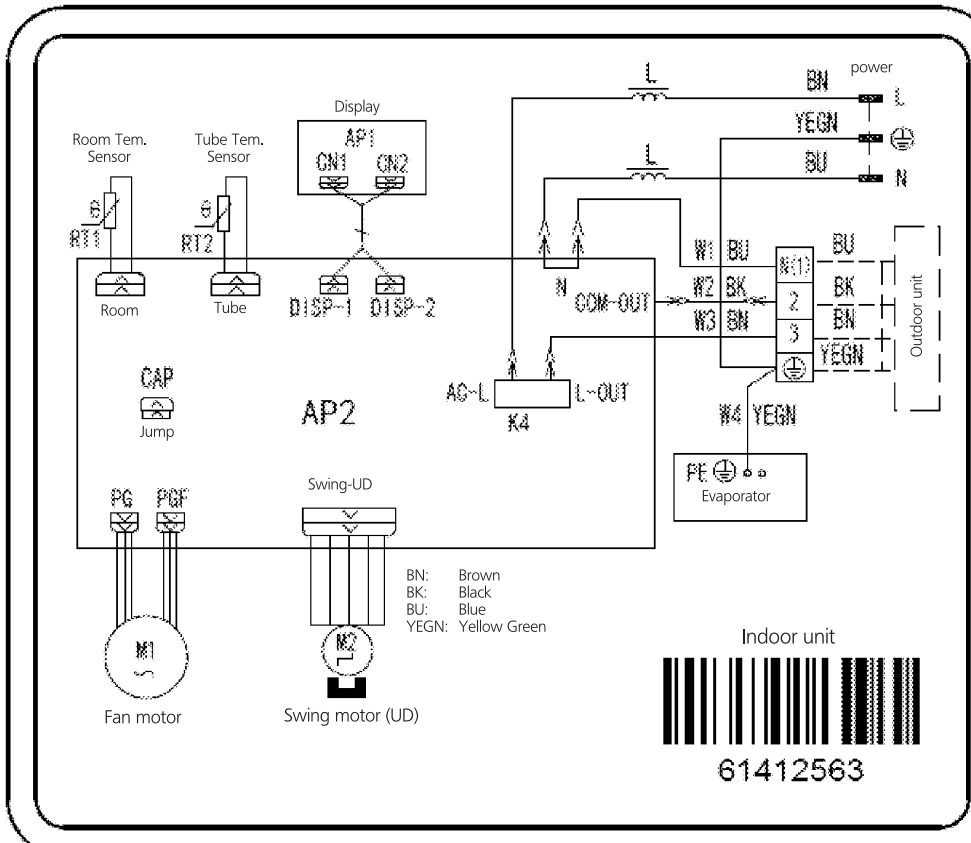
## 5 - 1 Wiring Diagrams - Single Phase

FTXV25AB



4D087781

FTXV35AB

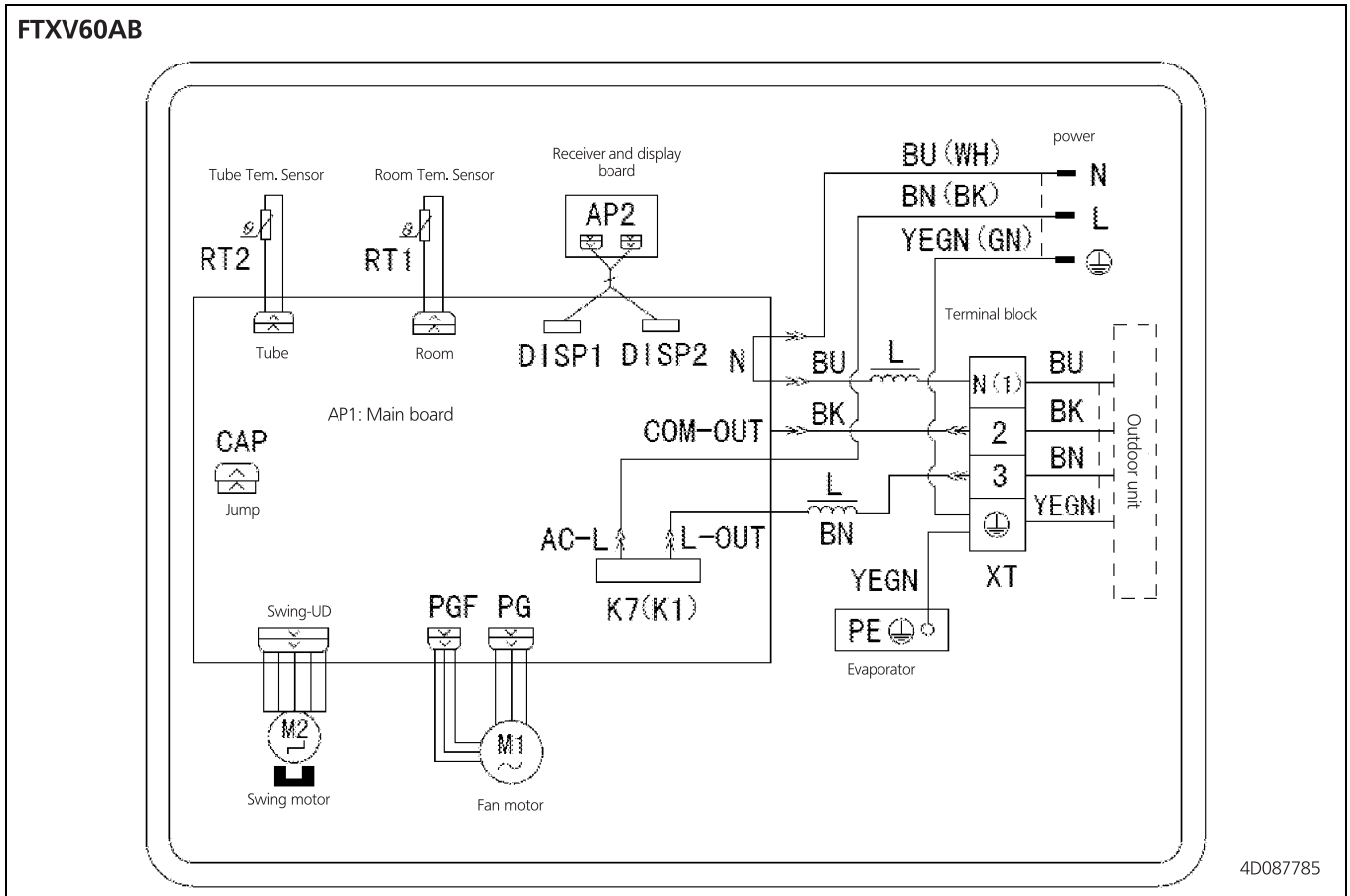
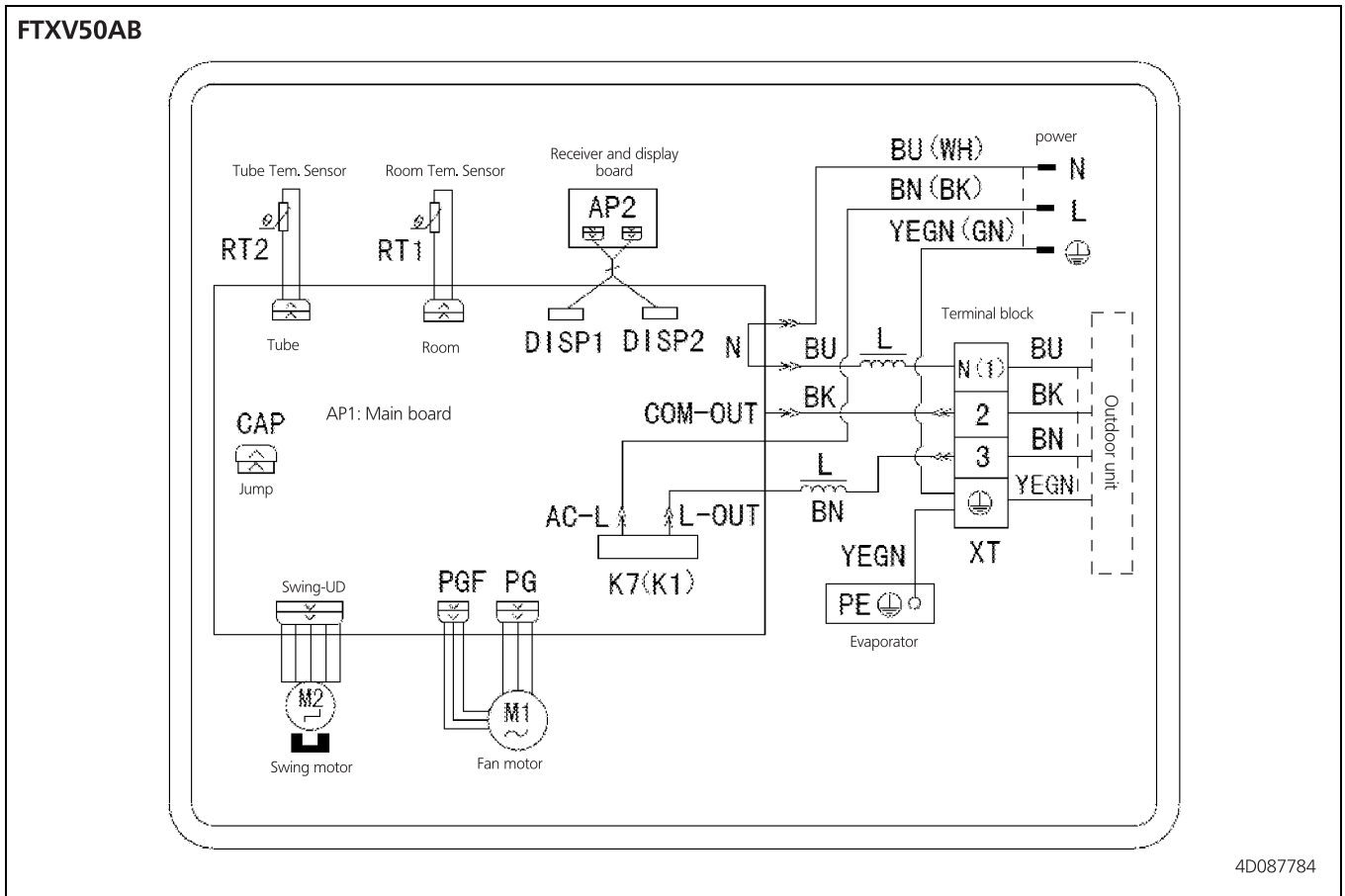


4D087782

# 5 Wiring diagrams

## 5 - 1 Wiring Diagrams - Single Phase

5

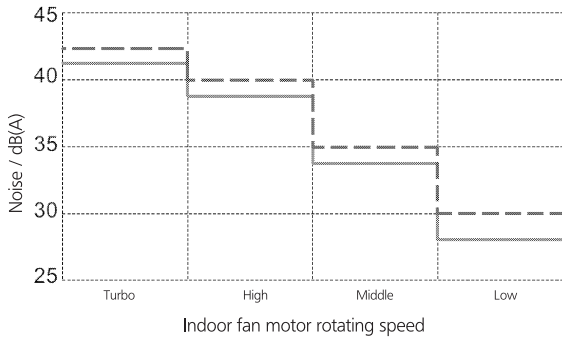


# 6 Sound data

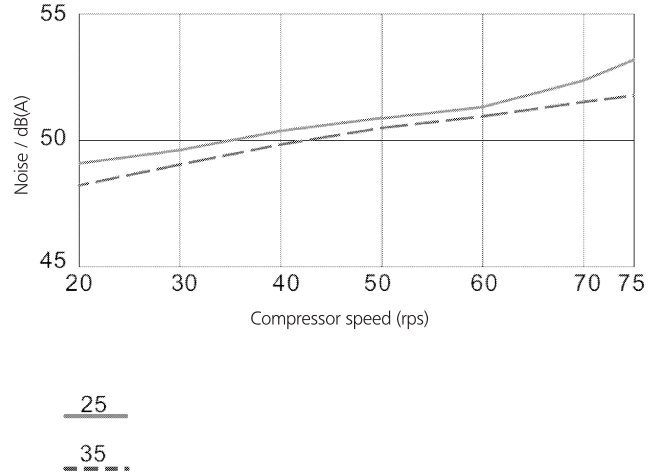
## 6 - 1 Sound Pressure Spectrum

### FTXV25-35AB

Indoor side noise when blowing



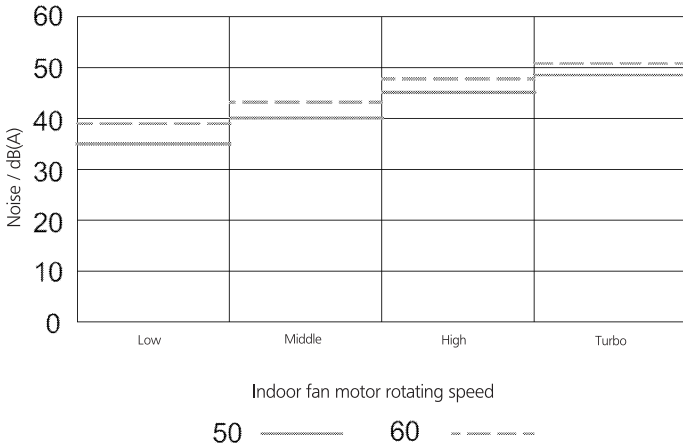
Outdoor side noise when compressor speed changed



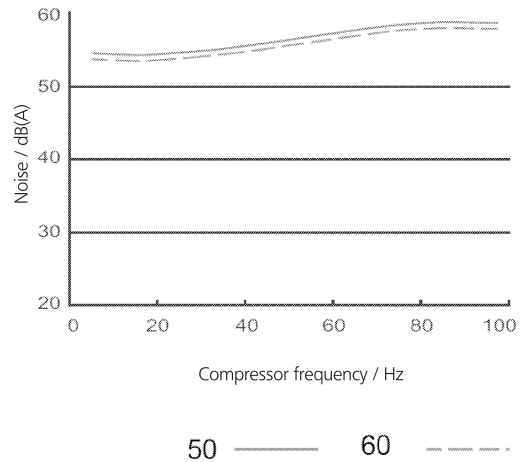
3D086223A

### FTXV50-60AB

Indoor side noise when blowing



Outdoor side noise



3D086228





Daikin Europe N.V. participates in the Eurovent Certification programme for Liquid Chilling Packages (LCP), Air handling units (AHU) and Fan coil units (FCU). Check on-going validity of certificate online: [www.eurovent-certification.com](http://www.eurovent-certification.com) or using: [www.certiflash.com](http://www.certiflash.com)

The present leaflet is drawn up by way of information only and does not constitute an offer binding upon Daikin Europe N.V.. Daikin Europe N.V. has compiled the content of this leaflet to the best of its knowledge. No express or implied warranty is given for the completeness, accuracy, reliability or fitness for particular purpose of its content and the products and services presented therein. Specifications are subject to change without prior notice. Daikin Europe N.V. explicitly rejects any liability for any direct or indirect damage, in the broadest sense, arising from or related to the use and/or interpretation of this leaflet. All content is copyrighted by Daikin Europe N.V.

BARCODE

Daikin products are distributed by: